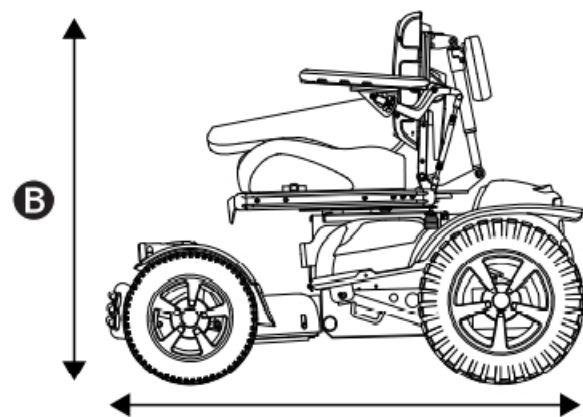
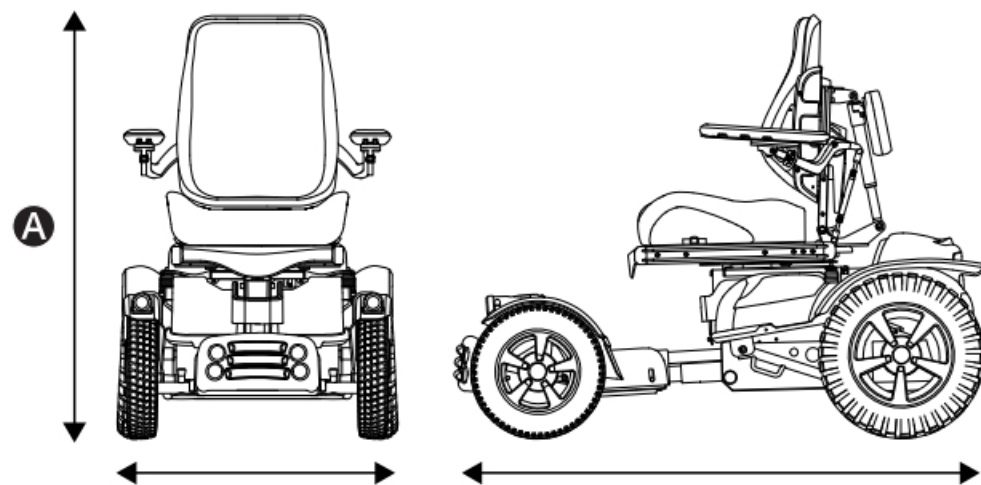


2.1 Wheelchair specification



Product name: **X850 Corpus 3G**

Wheelchair class: **C**

Ⓐ Height, width, and length

Height: 1020–1140 mm (40"–45")

Width: 715–790 mm (28"–31")

Length: 1260–1460 mm (50"–57.5")

Ⓑ Smallest transportation size

Height: 930 mm (37")

Width: 715–790 mm (28"–31")

Length: 1260 mm (50")

Ⓒ Weight specification

Wheelchair with batteries: 203 kg (448 lb)

Maximum user weight: 136 kg (300 lb)