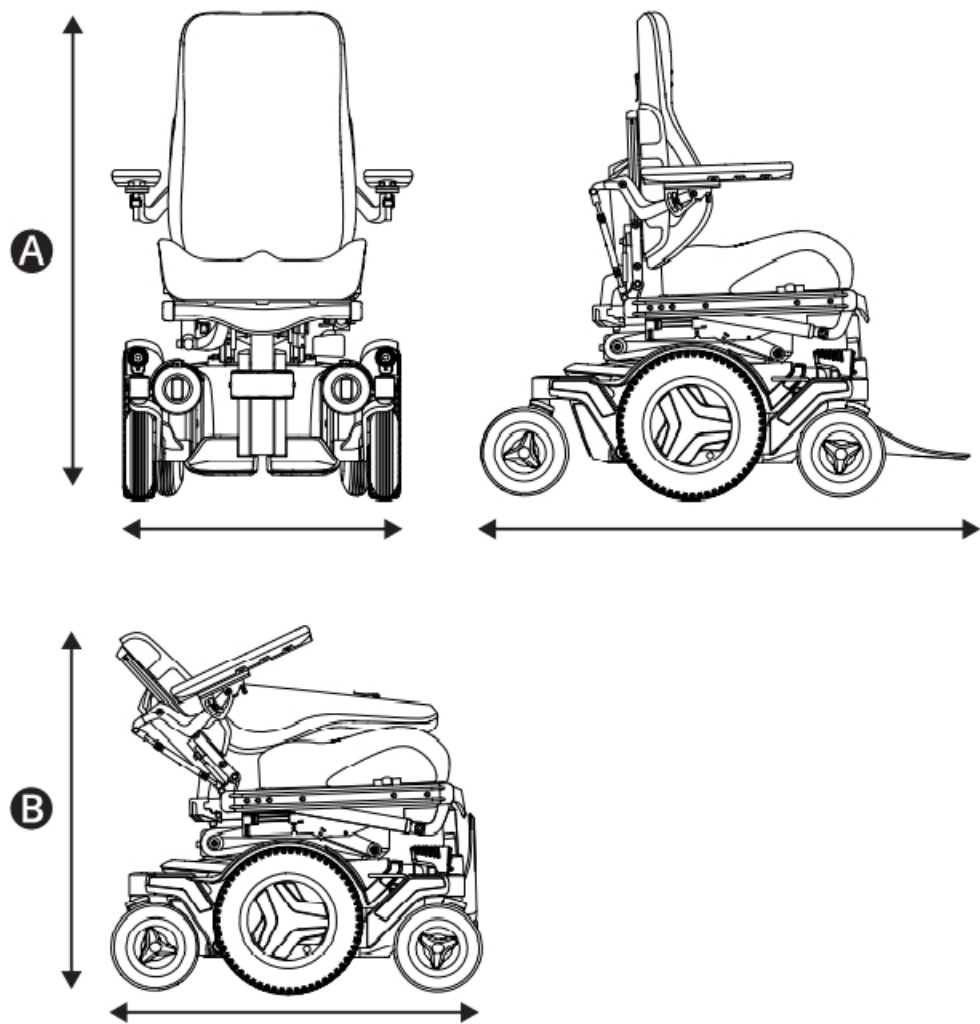


2.1 Wheelchair specification



Product name: **M5 Corpus**

Model version: **2**

Wheelchair class: **B**

A Height, width, and length

Height: 955–1170 mm (37.5"–46")

Width: 650–790 mm (25.5"–31")

Length: 1113 mm (44")

B Smallest transportation size

Height: 870 mm (31.5")

Width: 650–790 mm (25.5"–31")

Length: 880 mm (34.5")

👤 Weight specification

Wheelchair with batteries: 194 kg (428 lb.)

Maximum user weight: 150 kg (330 lb.)