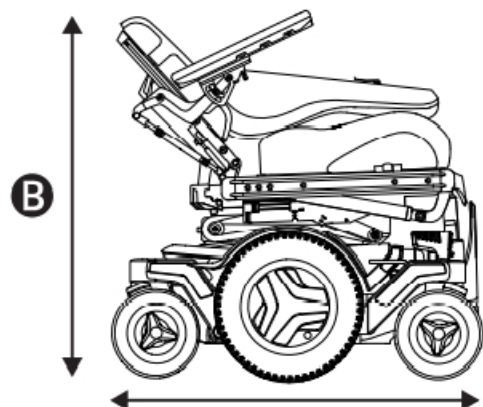
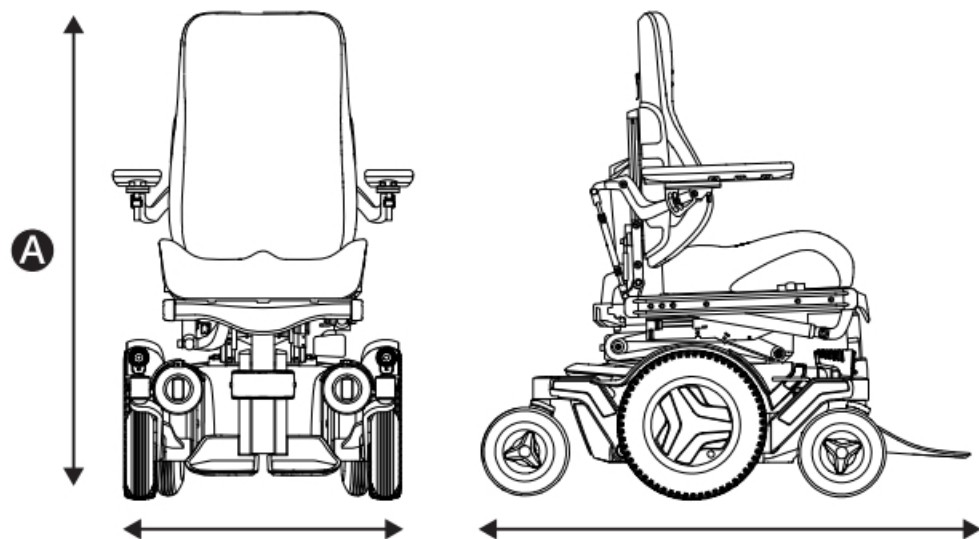


2.1 Wheelchair specification



Product name: **M3 Corpus**

Model version: **2**

Wheelchair class: **B**

Ⓐ Height, width, and length

Height: 960–1170 mm (38"–46")

Width: 650–790 mm (25.5"–31")

Length: 1016 mm (40")

Ⓑ Smallest transportation size

Height: 823 mm (32.5")

Width: 650–790 mm (25.5"–31")

Length: 855 mm (33.5")

Ⓒ Weight specification

Wheelchair with batteries: 176 kg (388 lb.)

Maximum user weight: 150 kg (330 lb.)