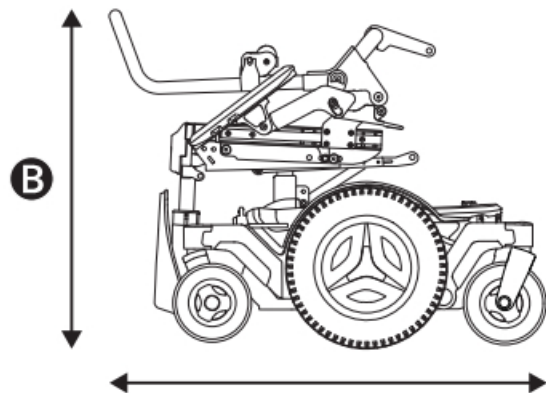
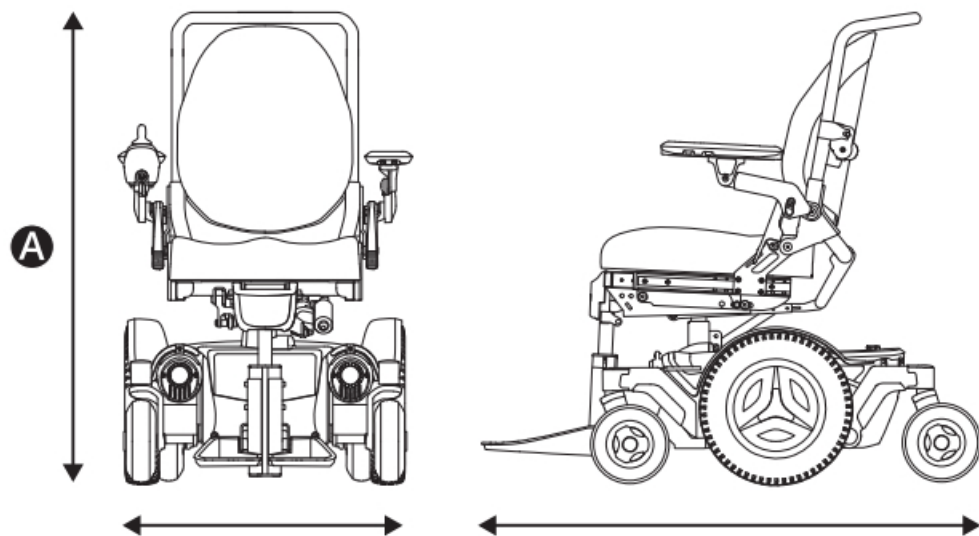


2.1 Wheelchair specification



Product name: **M1**

Wheelchair class: **B**

Ⓐ Height, width, and length

Height: 980–1500 mm (38.5"–45.5")

Width: 610–800 mm (24"–31.5")

Length: 1090–1280 mm (43"–50.5")

Ⓑ Smallest transportation size

Height: 620–670 mm (24.5"–26.5")

Width: 610–800 mm (24"–31.5")

Length: 820 mm (32")

Ⓒ Weight specification

Wheelchair with batteries: 143 kg (315 lb.)

Maximum user weight: 136 kg (300 lb.)