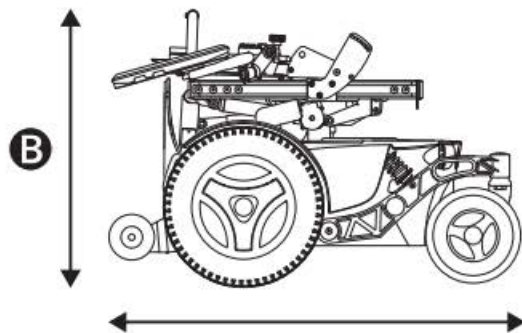
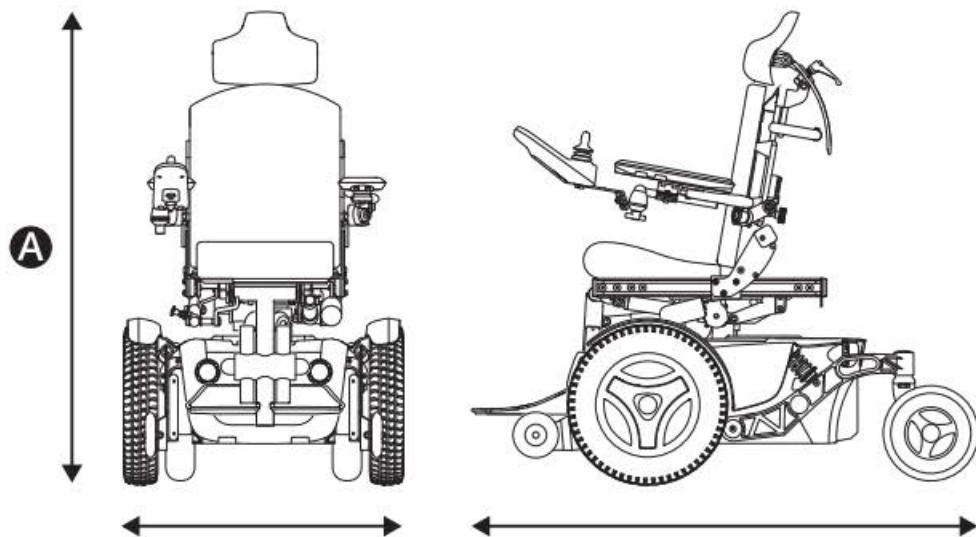


## 2.1 Wheelchair specification



Product name: **K300/K300s PS  
Junior**

Wheelchair class: **B**

### **A** Height, width, and length

Height: 792–1002 mm (31"–39")

Width: 615 mm (24")

Length: 1111–1207 mm (44"–48")

### **B** Smallest transportation size

Height: 585 mm (23")

Width: 615 mm (24")

Length: 903 mm (36")

### **👤** Weight specification

Wheelchair with batteries: 121 kg (267 lb)

Maximum user weight: 76 kg (168 lb)