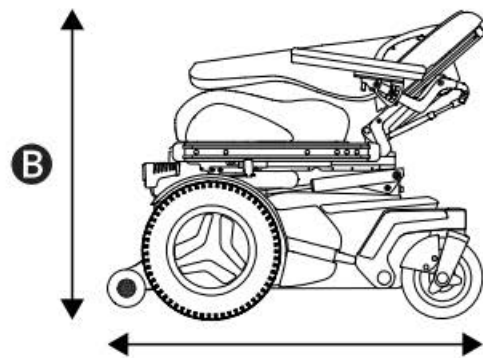
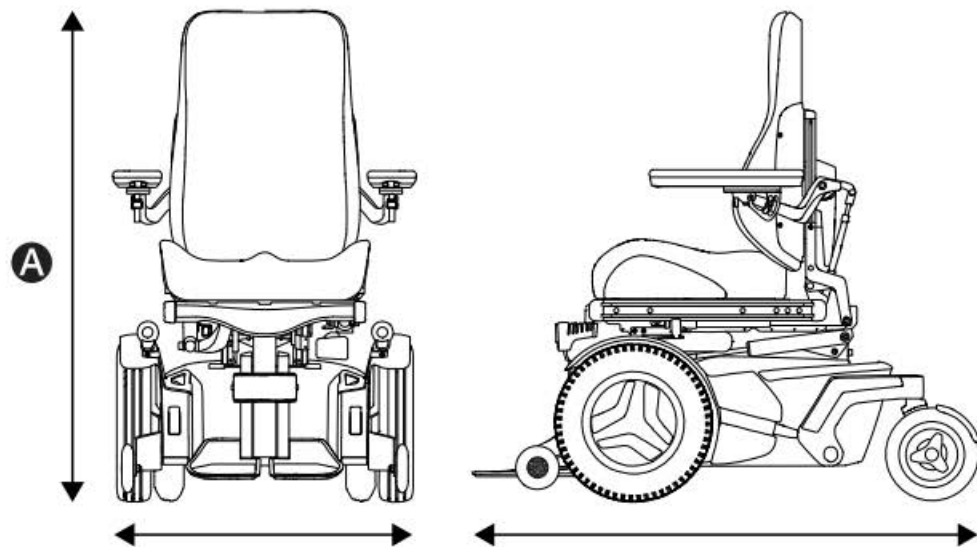


## 2.1 Wheelchair specification



Product name: **F5 Corpus**

Wheelchair class: **B**

### **A** Height, width, and length

Height: 1090–1170 mm (43"–46")

Width: 650–790 mm (25.5"–31")

Length: 1165 mm (46")

### **B** Smallest transportation size

Height: 875 mm (34.5")

Width: 650–790 mm (25.5"–31")

Length: 955 mm (38")

### **👤** Weight specification

Wheelchair with batteries: 189 kg (417 lb.)

Maximum user weight: 150 kg (330 lb.)