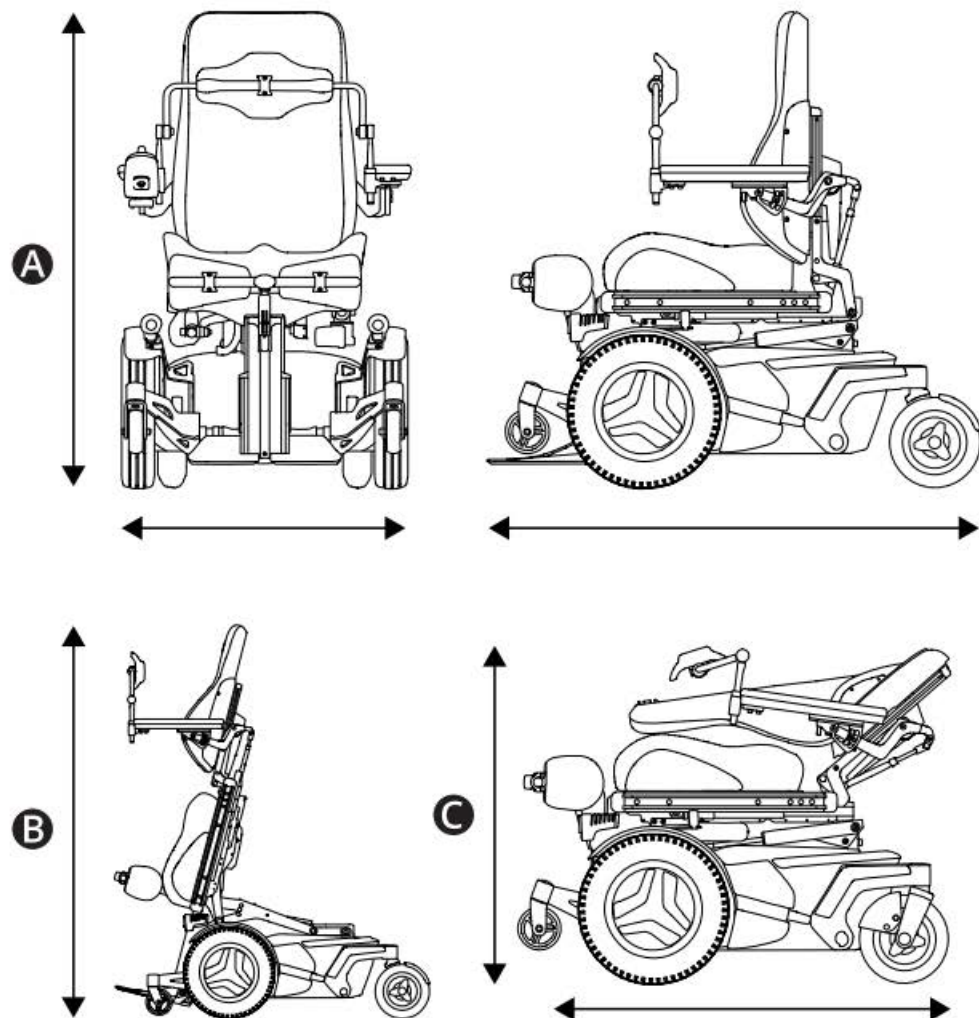


## 2.1 Wheelchair specification



Product name: **F5 Corpus VS**

Wheelchair class: **B**

### **A** Sitting position

Height: 1090–1170 mm (43"–46")

Width: 650–790 mm (25.5"–31")

Length: 1165 mm (46")

### **B** Standing position

Height: 1920 mm (76")

Width: 790 mm (31")

Length: 1260 mm (50")

### **C** Smallest transportation size

Height: 825–875 mm (32.5"–34.5")

Width: 650–790 mm (25.5"–31")

Length: 965 mm (38")

### **Weight specification**

Wheelchair with batteries: 206 kg (454 lb.)

Maximum user weight: 136 kg (300 lb.) (from lying to standing 100 kg [220 lb])