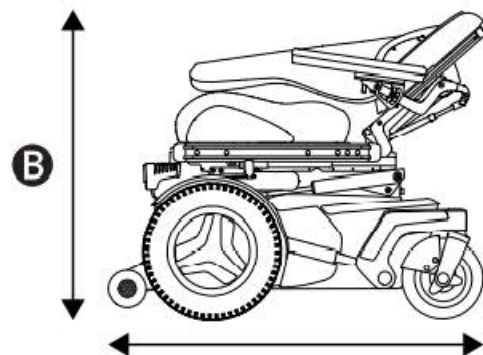
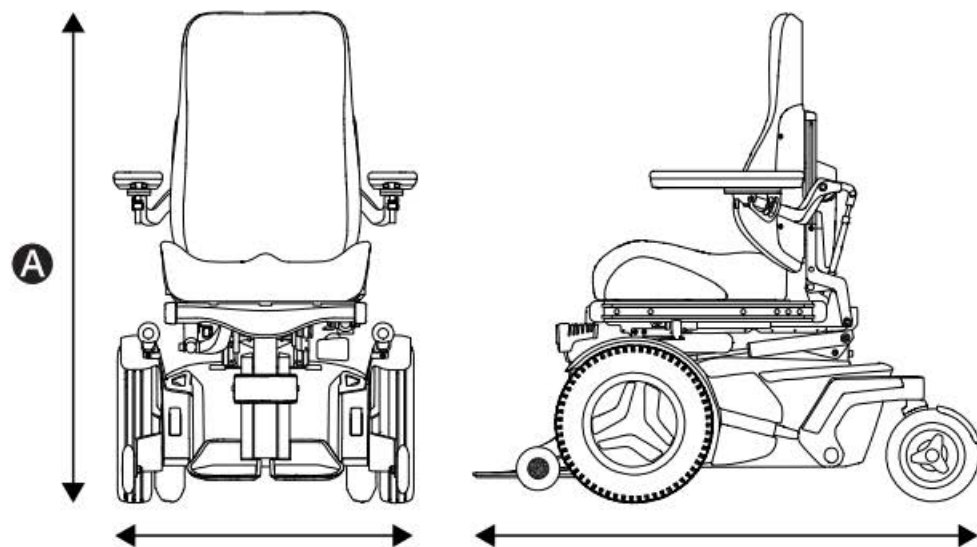


2.1 Wheelchair specification



Product name: **F3 Corpus**

Wheelchair class: **B**

A Height, width, and length

Height: 960–1170 mm (38"–46")

Width: 650–790 mm (25.5"–31")

Length: 1120 mm (44")

B Smallest transportation size

Height: 850 mm (33.5")

Width: 650–790 mm (25.5"–31")

Length: 920 mm (36")

C Weight specification

Wheelchair with batteries: 172 kg (379 lb.)

Maximum user weight: 150 kg (330 lb.)