



# TiLite T Series - Order Form



Dealer Name\*: \_\_\_\_\_ Account #\*: \_\_\_\_\_

City, Post Code, Country: \_\_\_\_\_

Phone: \_\_\_\_\_ Email: \_\_\_\_\_ P.O. Number \_\_\_\_\_

Clinician: \_\_\_\_\_ Client Reference\*: \_\_\_\_\_ Client Weight: \_\_\_\_\_

Rep Name: \_\_\_\_\_

Special considerations that need to be addressed here (e.g., diagnosis): \_\_\_\_\_

\*Required field

## Frame Style

ATFS1	<b>Aero T Aluminum Frame</b> Full adjustability. 265lb (120kg) weight limit.	\$
TAFS1	<b>TRA Titanium Frame</b> Full adjustability. 265lb (120kg) weight limit.	\$
TRFS1	<b>TR Titanium Frame</b> Minimal adjustability. 265lb (120kg) weight limit.	\$

## Frame Options

THDR1	<b>Heavy Duty Frame - Aero T / TRA</b> Not available with TR titanium Frame. 350lb (158kg) weight limit. Requires tension adjustable by straps back upholstery, billet aluminum front wheels, Shadow Spinerger SPOX or LX rear wheels. Only available with 0° or 2° camber. Not available with Slipstream or Glide forks, carbon fiber camber tube or velcro adjustable upholstery.	No charge
THDR1-TR	<b>Heavy Duty Frame - TR</b> 350lb (158kg) weight limit. No charge when 20" rear seat width and 20" seat depth are selected. Includes billet aluminum front wheels. Requires tension adjustable by straps back upholstery, Shadow, Spinerger SPOX or LX rear wheels. Only available with 0° or 2° camber. Not available with Slipstream or Glide forks, carbon fiber camber tube or velcro adjustable upholstery.	\$
TQST1	<b>Q'Straint Adaptable Frame</b> Not available with TR titanium Frame. 350lb (158kg) weight limit. Requires tension adjustable by straps back upholstery, billet aluminum front wheels, folding backrest, Shadow, Spinerger SPOX or LX rear wheels. Only available with 0° or 2° camber. Not available with Slipstream or Glide fork, open loop footrest, V-front taper or carbon fiber camber tube.	\$

## Frame Finishes

TFF1	<b>Satin Finish</b> Available with titanium frames only.	No charge																								
	SCBT1 Buffing Pads for Satin Frame	\$																								
TFF	<b>Powder Coated Frame</b> Select below.	No charge																								
<b>Frame Color:</b>	<table border="0" style="width: 100%;"> <tr> <td>TFF8 High Gloss Black</td> <td>TFF10 Red Pepper</td> <td>TFF29 Neon Pink</td> <td>TFF14 Ocean Blue Metallic</td> </tr> <tr> <td>TFF15 Tangerine Metallic</td> <td>TFF30 Acid Green Metallic</td> <td>TFF17 Midnight Blue Pearl</td> <td>TFF18 White Pearl</td> </tr> <tr> <td>TFF19 Black Lava</td> <td>TFF27 Titanium Grey</td> <td>TFF59 Pomegranate Red</td> <td>TFF62 Blue Mist</td> </tr> <tr> <td>TFF57 Indigo Purple</td> <td>TFF40 Hyper Blue</td> <td>TFF41 Flame Orange</td> <td>TFF42 OD Green</td> </tr> <tr> <td>TFF60 Silver Streak</td> <td>TFF63 Lavendar Dusk</td> <td>TFF58 Black Galaxy</td> <td>TFF61 Seafoam Green</td> </tr> <tr> <td>TFF64 Daffodil Yellow</td> <td></td> <td></td> <td></td> </tr> </table>	TFF8 High Gloss Black	TFF10 Red Pepper	TFF29 Neon Pink	TFF14 Ocean Blue Metallic	TFF15 Tangerine Metallic	TFF30 Acid Green Metallic	TFF17 Midnight Blue Pearl	TFF18 White Pearl	TFF19 Black Lava	TFF27 Titanium Grey	TFF59 Pomegranate Red	TFF62 Blue Mist	TFF57 Indigo Purple	TFF40 Hyper Blue	TFF41 Flame Orange	TFF42 OD Green	TFF60 Silver Streak	TFF63 Lavendar Dusk	TFF58 Black Galaxy	TFF61 Seafoam Green	TFF64 Daffodil Yellow				
TFF8 High Gloss Black	TFF10 Red Pepper	TFF29 Neon Pink	TFF14 Ocean Blue Metallic																							
TFF15 Tangerine Metallic	TFF30 Acid Green Metallic	TFF17 Midnight Blue Pearl	TFF18 White Pearl																							
TFF19 Black Lava	TFF27 Titanium Grey	TFF59 Pomegranate Red	TFF62 Blue Mist																							
TFF57 Indigo Purple	TFF40 Hyper Blue	TFF41 Flame Orange	TFF42 OD Green																							
TFF60 Silver Streak	TFF63 Lavendar Dusk	TFF58 Black Galaxy	TFF61 Seafoam Green																							
TFF64 Daffodil Yellow																										
TFF3	<b>Tattoos</b> Tattoos on front frame tubes. Titanium frame finished in satin. Tattoos will be trimmed and adjusted to fit your frame.	\$																								
	TFF65 Liquid    TFF66 Bloom    TFF67 Rebel    TFF68 Vector																									



Liquid



Bloom



Rebel



Vector

## Color Anodize Package

<b>Standard:</b>	Black	Standard
<b>Anodized Package:</b>	Gold    Green    Purple    Orange    Blue    Red	\$

Includes caster mount, caster fork and caster caps. If no anodize colour is selected, default will be black.

## TiFit: Tailored Individualized Frame

Measurements shown below are our most popular selections. Not seeing what you want? Contact customer service or view our Creative Mobility Division (CMD) catalog [here](#) to view additional options. Please refer to Reference Diagrams at end of form for more information.

**Rear Seat Width 'A'** | Measure from outside of seat tube at back post to the outside of the opposite seat tube at back post.

TSW1:	12"	13"	14"	15"	16"	17"	18"	19"	
TSW3:	19" (TR)								No charge
TSW2:	20"								\$

>20" sizes available through CMD.

**Front Seat Width (Seat Taper) 'T'** | Measure from inside of front frame tube to inside of opposite front frame tube. Required with V-front end, not with standard front end.

TFSW1	<b>No Taper</b>	Standard
TFSW2	<b>1" Taper</b> 3" narrower than Rear Seat Width 'A'. Includes tension adjustable by straps seat upholstery. Bolt on adjustable sling available through CMD #20.	\$
TFSW4	<b>2" Taper</b> 4" narrower than Rear Seat Width 'A'. Includes tension adjustable by straps seat upholstery. Bolt on adjustable sling available through CMD #20.	\$

**Seat Depth 'B'** | Measure from front of back post to the front edge of seat sling. Frame bend will start 0.5" in front of seat sling unless Custom Frame Depth is specified or the combination of specifications affect the rolling dynamics of the chair.

TSD1:	12"	13"	14"	15"	16"	
	17"	18"	19"			
TSD2:	20"					\$
TSD3 Custom Frame Depth:	Specify:					No charge

Measure from front of seat sling to beginning of frame bend. Ranges from 0.5"-2" and can be given as specific as 0.25" increments. A custom frame depth outside the specified range may be available through our Creative Mobility Division. A custom frame depth of 20" will have an additional charge.

**Ergonomic Seat 'U'** | Measure from front of back post to beginning of upward bend of seat tube.

TERG1	<b>TR Ergonomic Seat</b> Tension adjustable by strap comes standard. Bolt on adjustable sling available through CMD #20. Solid seat available through CMD #16.	\$
	5" 6" 7" 8" 9"	
TERG2	<b>Aero T and TRA Ergonomic Seat</b> Not available with V-front or seat taper, seat back that locks when folded, desk armrests, depth adjustable backrests, fold down rigid sideguards, fendered adjustable sideguards or Curve cushion. Bolt on adjustable sling available through CMD #20. Solid seat available through CMD #16. Minimum seat depth 12" for 6"-7". Minimum seat depth 13" for 8".	\$
	6" 7" 8"	

**Front Seat Height 'C'** | Measure from floor to top of seat tube at front edge of seat sling.

TFSH1:	15"	15.5"	16"	16.5"	17"	17.5"	18"	18.5"	19"	19.5"	20"	20.5"
	21"											

**Rear Seat Height 'D'** | Measure from floor to top of seat tube at back post.

TRSH1:	12.5"	13"	13.5"	14"	14.5"	15"	15.5"	16"	16.5"	17"	17.5"	18"
	18.5"	19"	19.5"	20"								

Rear Wheel	26"	15.5"-20"
	25"	15"-20"
	24"	14.5"-20" (15" on Aero T/TRA)
	22"	13.5"-20"
	20"	12.5"-20"

Rear Seat Height Range

**Front Angle or Overall Frame Length** | Select one. If Overall Frame Length is selected, front angle will be bent to achieve requested length.

TFA1	<b>Frame Angle 'L'</b> Measure from frame front to floor. 85° not available with 6" front wheels. 90° not available with 5" or 6" front wheels.	Standard
	70° 75° 80° 85° 90°	
TFA2	<b>Overall Frame Length 'M'</b> Measure from front of backrest to front edge of footrest.	No charge
	Specify:	

## Footrest

### Standard Footrests

<b>Seat to Footrest 'E':</b>	13.5"	14"	14.5"	15"	15.5"	16"	16.5"	17"	17.5"	18"	18.5"	19"	
	<i>Measure from front edge of seat sling to top rear of footrest. Measurement must be at least 2" shorter than Front Seat Height 'C'.</i>												
TFTR3	<b>Angle Adjustable Footrest</b>											Standard	
TFTR1	<b>Titanium Footrest w/Flat ABS Cover</b>											\$	
TFTR2	<b>Titanium Open Loop Footrest</b>											\$	
TFTR12	<b>Angle Adjustable Flip-Back Footrest</b> <i>Not available with 10" or 11" rear seat width or heavy duty frame.</i>											\$	

### High Mount Footrests

<b>Seat to Footrest 'E':</b>	7"-9"	9"-11"	11"-13"	Set at	
	<i>Measure from front edge of seat sling to top rear of footrest.</i>				
TFTR4	<b>Angle Adjustable High Mount Footrest</b>				\$
CMD040	<b>Custom Two-Piece Flip-Up Footplates</b> <i>Please visit our CMD catalog and specify footrest type and rigidizer bar placement in Notes section of this order form. Some limitations may apply.</i>				\$

### Footrest Width | Select standard front end 'I' if no seat taper 'T' has been selected. Select V-front end 'V' if a seat taper 'T' has been selected.

TFE1 **No V-Front Taper 'I'** *Find your rear seat width 'A' in the chart below and select one of the options to the right. Measure from inside of front frame tube to inside of opposite front frame tube.* Standard

Rear Seat Width 'A'	12"	10"	8"	
	13"	11"	9"	
	14"	12"	10"	8"
	15"	13"	11"	9"
	16"	14"	12"	10"
	17"	15"	13"	11"
	18"	16"	14"	12"
	19"	17"	15"	13"
	20"	18"	16"	14"
		No Taper	2" Taper	4" Taper

Footrest Width 'I'

TFE2 **V-Front Taper 'V'** *Measure from inside of front frame tube to inside of opposite front frame tube 2.5" above footrest. Titanium footrests have 1" of adjustment up and down. Not available with ergonomic seat frames.* \$

9" 10" 11" 12" 13" 14" 15"

CMD008 **Custom Abducted Front Frame Width** *Adapted footrest and/or front seat width. Please specify desired front seat width and desired footrest width to the nearest 0.5" in the Notes section. Some limitations may apply.* \$

## Back Supports

### ROHO Back Supports

SBRS14	<b>Agility Active Aluminum, Min Contour with Foam</b> <i>Includes fixed hardware. Select shell height.</i>	\$
SBRS15	<b>Agility Active Aluminum, Mid Contour with Foam</b> <i>Includes fixed hardware. Select shell height.</i>	\$
	8" 10"	
SBRS7	<b>Agility Carbon Min Contour Back with Foam/Air Insert</b> <i>Includes fixed hardware. Select shell height.</i>	\$
ACB1	<b>Agility Carbon Min Upgrade</b> <i>Required with Agility Carbon Backs. Not available with bolt-on push handles.</i>	\$ 0.00
SBRS9	<b>Agility Carbon Mid Contour Back with Foam/Air Insert</b> <i>Includes fixed hardware. Select shell height.</i>	\$
ACB2	<b>Agility Carbon Mid Upgrade</b> <i>Required with Agility Carbon Backs. Not available with bolt-on push handles.</i>	\$ 0.00
	10" 13" 16"	

### Comfort Back Supports

SBRS22	<b>Comfort Embrace Back</b> <i>Replaces Comfort Acta-Embrace Back. Includes 2-point quick release Compass hardware. Select shell height.</i>	\$
	10" 12" 14" 16"	
	Comfort-Tek Cover <b>Diamond Spacer Cover</b>	
	Privacy Shield	\$
SBRS23	<b>Comfort Relief Back</b> <i>Replaces Comfort Acta-Relief Back. Includes 2-point quick release Compass hardware. Select shell height.</i>	\$
	10" 12" 14" 16"	
	Comfort-Tek Cover <b>Diamond Spacer Cover</b>	
	Privacy Shield	\$

## Back Upholstery

TBUP2	<b>Velcro Adjustable</b> <i>Not available with fold-down push handles.</i>	Standard
TBUP3	<b>NEW Tension Adjustable By Straps, Padded Nylon</b> <i>Required for fold-down push handles.</i>	\$
TBUP5	<b>Tension Adjustable By Straps, AIR Breathable</b> <i>Required for fold-down push handles.</i>	\$
TUPC3	<b>Ultrasuede Backrest Stripe, Black</b> <i>Not available with AIR breathable upholstery.</i>	\$
TBUP0	<b>Omit Back Upholstery</b>	No charge

## Backrest

### Back Type

TSB1	<b>Folding Aluminum Adjustable Height Back</b> <i>Required for heavy duty frame.</i>	Standard
TSB2	<b>Folding Titanium Adjustable Height Back, Rounded Rigidizer Bar</b> <i>Titanium back will match frame finish.</i>	\$
TSB15	<b>Non-Folding Fixed Height Titanium Back, Rounded Rigidizer Bar</b> <i>Not available with Aero T, TRA or push handles. Titanium back will match frame finish.</i>	\$

### Back Options

TSB11	<b>Backrest Locks When Folded</b> <i>Available on all backs. Not available with ergonomic seat.</i>	Standard
TSB12	<b>4" Deep Backrest Rigidizer Bar</b> <i>Not a rounded style rigidizer bar. Not available with non-folding, fixed height titanium back type.</i>	No charge
TSB3	<b>TiShaft Back Release Bar, Aluminum</b> <i>Not available with non-folding or fixed height titanium backs.</i>	Standard
TSB5	<b>TiShaft Back Release Bar, 2x2 Twill Weave Carbon Fiber</b> <i>Not available with non-folding or fixed height titanium backs.</i>	\$

### Push Handles

TSB6	<b>Integrated Push Handles</b>	No charge
TSB7	<b>Integrated Fold-Down Push Handles</b> <i>Requires tension adjustable by straps back upholstery.</i>	\$
TSB8	<b>Bolt-On Push Handles</b> <i>Includes 4" deep backrest rigidizer bar.</i>	\$
TSB9	<b>Bolt-On Height-Adjustable Push Handles</b> <i>Includes 4" deep backrest rigidizer bar.</i>	\$

### Folding Back Height 'F' | TSB1/TSB2. Set at 0.5" increments.

Push Handles	None / Bolt-On	9.5"-11.5"	12"-16.5"	16"-20.5"	Set at:
	Integrated	11"-12.5"	13.5"-16.5"	17.5"-20.5"	Set at:
	Fold-Down	13.5"-15"	14.5"-18.5"	18.5"-21"	Set at:
		Short	Medium	Tall	Specify
Folding Back Height					

### Fixed Back Height 'F'

Select height:	5"	5.5"	6"	6.5"	7"	7.5"	8"	8.5"	9"	9.5"	10"	10.5"
	11"	11.5"	12"	12.5"	13"	13.5"	14"	14.5"	15"	15.5"	16"	16.5"
	17"	17.5"	18"	18.5"	19"	19.5"	20"					

*Required for fixed side guards. Not available with swing-away tubular or swing-away flip-back tubular armrests, integrated push handles, integrated fold-down push handles or bolt-on height adjustable push handles.*

### Back Angle 'G' | TSB1 Measure angle from front of back post to floor.

Folding Back:	80°	83°	86°	89°	92°	95°	98°	101°					
Fixed Back:	80°	81°	82°	83°	84°	85°	86°	87°	88°	89°	90°	91°	92°
	93°	94°	95°	96°	97°	98°	99°	100°	101°				

## Rear Wheel Positioning

**Center of Gravity 'H'** | Measure from front of back post at the seat tube to the center of the rear axle. If no center of gravity is selected the chair will ship with the center of gravity in the most rearward position. Ergo seat selection may limit available center of gravity.

TCOG1:	1"	1.25"	1.5"	1.75"	2"	2.25"	2.5"	2.75"	3"	3.25"	3.5"	3.75"
	4"	4.25"	4.5"	4.75"	5"							

**Rear Wheel Spacing 'J'** | Measure from outside of back post to inside of rear tire. TRA 0.75" rear wheel spacing not with 0° or 2° camber.

TRWS1	<b>Fixed Rear Wheel Spacing</b>											Standard
		0.75"	1"	1.25"								
TCBR12	<b>Adjustable Rear Wheel Spacing Camber Plugs</b>											No charge
TCBR9	<b>Additional Spacers to Increase Rear Wheel Spacing</b>											No charge
TCBR11	<b>Zero Play Aluminum Camber Plugs</b>	Not available with power adaptable frame or more than 6° camber.										No charge

## Camber 'K'

TCBR1:	0°	2°	4°	6°								
	8° camber may be available through our Creative Mobility Division											
TCBR15	<b>Aluminum Camber Tube</b>											Standard
TCBR3	<b>Titanium Camber Tube</b>											\$
TCBR4	<b>Carbon Fiber Camber Tube</b>	Only available on TR and only with 0°, 2°, 4° zero play plugs. Not available with anti-tips, or heavy duty frame.										\$

## Seat Upholstery

TSUP1	<b>Tension Adjustable Bolt-On Upholstery, Black</b>	Not available with ergonomic seat or tapered seat.										Standard
TSUP2	<b>Tension Adjustable By Straps, Black</b>	Standard with ergonomic seat and seat taper of 1"-3".										\$
TSUP8	<b>Aluminum Solid Seat</b>	Ergonomic seat requires CMD016. Not with 10" or 11" rear seat width.										\$
TSUP0	<b>Omit Seat Upholstery</b>											No charge
CMD018	<b>Custom iSleeve</b>	Please provide sleeve width and depth (inches) in Notes section at the end of this order form. Add 1" to device depth and 0.25" to width. Best when used with tension adjustable bolt-on upholstery. Some limitations may apply.										\$

## Seat Cushions

TCSH2	<b>Comfort Curve Cushion</b>	Stretch-Air cover.										\$
TCSH23	<b>Comfort Acta-Embrace™ Comfort-Tek Zero Elevation Cushion</b>											\$
TCSH11	<b>ROHO Single Compartment Cushion</b>	Fits seat widths 14"-19".										\$
		Low Profile	Mid Profile	High Profile								
TCSH14	<b>ROHO Quadro Select Cushion</b>	Fits seat widths 14"-19".										\$
		Low Profile	Mid Profile	High Profile								
TCSH16	<b>ROHO Hybrid Select Cushion</b>	Fits seat widths 14"-18", and 20"										\$

## Front Wheels

TFW24	<b>3"x1.4" LiteSpeed-7 Billet Aluminum Wheel w/Soft Roll Tire</b>											\$
		Silver Hub	Black Hub									
TFW14	<b>4"x0.75" Plastic Wheel w/Poly Tire</b>	Not available with Slipstream fork.										No charge
TFW3	<b>4"x0.75" Light-Up Micro Caster</b>	Not available with Slipstream fork.										\$
TFW26	<b>4"x1.4" LiteSpeed-7 Plastic Wheel w/Soft Roll Tire</b>	Not available with power assist or heavy duty frame.										No charge
TFW27	<b>4"x1.4" LiteSpeed-7 Billet Aluminum Wheel w/Soft Roll Tire</b>											\$
		Silver Hub	Black Hub									
TFW6	<b>5"x1" Plastic Wheel w/Poly Tire</b>	Not available with 90° front angle or Slipstream fork.										No charge
TFW28	<b>5"x1.4" LiteSpeed-7 Plastic Wheel w/Soft Roll Tire</b>	Not available with 90° front angle.										No charge
TFW30	<b>5"x1.4" LiteSpeed-7 Billet Aluminum Wheel w/Soft Roll Tire</b>	Not with 90° front angle.										\$
		Silver Hub	Black Hub									
TFW9	<b>6"x1" Plastic Wheel w/Poly Tire</b>	Not with 85° or 90° front angle or Slipstream fork.										No charge
TFW32	<b>6"x1.4" LiteSpeed-7 Plastic Wheel w/Soft Roll Tire</b>	Not with 85° or 90° front angle or Slipstream fork.										No charge
TFW33	<b>6"x1.4" LiteSpeed-7 Billet Aluminum Wheel w/Soft Roll Tire</b>	Not with 85° or 90° front angle or Slipstream fork.										\$
		Silver Hub	Black Hub									

## Precision Lock Front Forks

TFK1	<b>TiLite Standard Fork</b>	Standard
TFK2	<b>TiLite Slipstream Single-Sided Fork</b>	\$
TGL1	<b>Glide Suspension Fork</b> <i>Black anodize only. Select rider weight.</i>	\$
	125lbs (57kg)    125-180lbs (57-82kg)    180-265lbs (82-120kg)	
TTFS1	<b>Titanium Fork Stem</b> <i>Comes standard on TR.</i>	\$

## Rear Wheels

See rear seat height ranges chart for rear seat height 'D' limitations.

TRW14	<b>TiLite SHADOW Rear Wheel</b> <i>Select size. 25" and 26" wheels require 15" minimum seat depth.</i>	Standard
	20" (451)    22" (501)    24" (540)    25" (559)    26" (590)	
TRW7	<b>Spinergy SPOX Rear Wheel</b> <i>Select size and spoke color. 25" and 26" wheels require 15" minimum seat depth. Orange, pink, purple and green spokes only available in 20" size.</i>	\$
	20" (451)    22" (501)    24" (540)    25" (559)    26" (590)	
	Black   Red   Blue   White   Orange   Pink   Purple   Green	
TRW8	<b>Spinergy LX Rear Wheel</b> <i>Select size and spoke color. 25" and 26" wheels require 15" minimum seat depth.</i>	\$
	22" (501)    24" (540)    25" (559)    26" (590)	
	Black   Red   Blue   White   Orange   Pink   Purple   Green	
TRW9	<b>Spinergy Design Lab LX Rear Wheel</b> <i>Black spokes only. Select size and anodizing color. If same color is selected, anodized hubs and rims match colour anodized package. 25" and 26" wheels require 15" minimum seat depth.</i>	\$
	22" (501)    24" (540)    25" (559)    26" (590)	
	Gold   Green   Blue   Red   Purple   Orange	
TRW16	<b>Spinergy Carbon Blade Rear Wheel</b> <i>2x2 twill weave carbon fiber. Not available with heavy duty frame. 25" wheels require 15" minimum seat depth.</i>	\$
	24" (540)    25" (559)	
TRW17	<b>X-Core Mag Rear Wheel</b> <i>Select size. Not available with heavy duty frame, short tabs, quad release axles, spoke guards or omit handrims options. Requires aluminum silver anodized handrims.</i>	\$
	20" (451)    22" (501)    24" (540)	

## Axles

TAXL1	<b>Stainless Quick Release Axle</b>	Standard
TAXL2	<b>Titanium Quick Release Axle</b>	\$
TAXL3	<b>Quad Release</b> <i>Not available with Mag or 26" (590) Spinergy Spox or LX rear wheels.</i>	\$

## Pneumatic Rear Tires

TRTR1	<b>Treaded Tire 22"(501), 24"(540), 26"(590)</b>	No charge
TRTR2	<b>Airless Inserts</b> <i>Not available with Spinergy Carbon Blade rear wheels.</i>	\$
TRTR31	<b>MBL SpeedLite Tire 20"(451), 22"(501), 24"(540), 25"(559), 26"(590)</b>	No charge
TRTR10	<b>MBL Gazelle Tire 24"(540), 25"(559)</b> <i>Kevlar bead, lightest weight option. Not available on the Aero T.</i>	\$
TRTR30	<b>Primo Sentinel Tire 24"(540), 25"(559), 26"(590)</b>	\$
TRTR8	<b>Schwalbe Marathon Plus Evolution Tire 24"(540), 25"(559), 26"(590)</b>	\$
TRTR32	<b>Primo C-764 Knobby Tire 24"(540)</b>	\$

## Solid Rear Tires

TRTR22	<b>Primo Orion Tire 20"(451), 22"(501), 24"(540), 25"(559)</b> <i>Not available with Spinergy Carbon Blade rear wheels.</i>	\$
TRTR23	<b>Primo Active Tire 24"(540), 25"(559)</b> <i>Not available with Spinergy Carbon Blade rear wheels.</i>	\$

## Handrims

TRIM1	Aluminum Handrim, Silver Anodized	Standard
TRIM21	Aluminum Handrim, Black Anodized	No charge
TRIM12	Titanium Handrim, Satin Finish <i>Not available with 20"(451) or 22"(501) rear wheels or 24"(540) knobby tires.</i>	\$
TRIM20	Q-Grip Handrim <i>Exclusive high-friction, anti-slip coating. Not available with 20"(451) rear wheels.</i>	\$
TRIM5	Plastic Coated Handrim, Black	\$
TRIM10	The Surge Handrim <i>Large profile. All-In-One oval with Gription strip.</i>	\$
TRIM11	The Surge LT Handrim <i>Small profile. All-In-One oval with Gription strip.</i>	\$
TRIM14	The Natural-Fit Handrim, Standard Grip <i>Original, large profile. Not available with short tabs or Spinergy Carbon Blade rear wheels.</i>	\$
TRIM15	The Natural-Fit Handrim, Super Grip <i>Original, large profile. Not available with short tabs or Spinergy Carbon Blade rear wheels.</i>	\$
TRIM16	The Natural-Fit Handrim, Without Thumb Grip <i>Original, large profile.</i>	\$
TRIM17	The Natural-Fit LT Handrim, Standard Grip <i>Reduced weight, small profile. Not available with short tabs or Spinergy Carbon Blade rear wheels.</i>	\$
TRIM18	The Natural-Fit LT Handrim, Super Grip <i>Reduced weight, small profile. Not available with short tabs or Spinergy Carbon Blade rear wheels.</i>	\$
TRIM19	The Natural-Fit LT Handrim, Without Thumb Grip <i>Reduced weight, small profile.</i>	\$
TRIM22	Omit Handrims	No charge

## Handrim Tab Length

TRIM7	Long Tabs	Standard
TRIM8	Short Tabs <i>Not available with Mag rear wheels, The Natural-Fit handrims with thumb grip, or Natural-Fit handrims on Shadow wheels.</i>	\$

## Wheel Locks

TWLK7	Compact Composite Push to Lock <i>Available with 0.75"-1.5" rear wheel spacing only.</i>	No charge
TWLK8	Compact Composite Pull to Lock <i>Available with 0.75"-1.5" rear wheel spacing only.</i>	No charge
TWLK10	Extension Handles for Compact Composite Push/Pull to Lock	\$
TWLK11	MBL Composite Scissor Lock	\$
TWLK12	MBL Performance Aluminum Scissor Lock	\$
TWLK3	Uni-Lock Push Pull	\$
TWLK4	Extension Handles for Uni-Lock	\$
TWLK15	Grade Aids Push to Lock <i>Not available with solid rear tires.</i>	\$

## Side Guards

TSDG13	Side Guards Custom Cut to Profile of Rear Wheels <i>Available for aluminum and carbon non-fendered side guards.</i>	\$
CMD007	Custom Offset Profiled Side Guards (Removable or Fold-Down) <i>Please specify desired offset to nearest 0.5" and side guards type (rigid or fold-down) in the Notes section of this order form. Side guard material must be selected. Some limitations may apply.</i>	\$
CMD	Fixed Side Guards <i>CMD33 (fendered carbon fiber) or CMD73 (flat panel aluminum or carbon fiber) available. TRA also requires CMD19 (fixed back). Not available on Aero T. Please visit our CMD catalogue, pricing will vary.</i>	\$

## Aluminum

TSDG2	Aluminum Side Guards, Rigid Removable Small Standard	\$
TSDG14	Aluminum LT Side Guards, Rigid Removable <i>Not available on the Aero T.</i> Small Standard	\$
TSDG3	Aluminum Side Guards, Quad Removable w/Hole Small Standard	\$
TSDG15	Aluminum LT Side Guards, Quad Removable w/Hole <i>Not available on the Aero T.</i> Small Standard	\$
TSDG4	Aluminum Fold Down Side Guards, Rigid <i>Not available with ergonomic seats.</i> Small Standard	\$
TSDG6	Aluminum Fendered Side Guards, Adjustable <i>24"-25" rear wheels require rear seat height 14.5"-19.5". 26" rear wheels require rear seat height 15.5"-18.5".</i>	\$

## 2x2 Twill Weave Carbon Fiber

TSDG7	<b>Carbon Side Guards, Rigid Removable</b>		\$
	Small Standard		
TSDG16	<b>Carbon LT Side Guards, Rigid Removable</b> <i>Not available on the Aero T.</i>		\$
	Small Standard		
TSDG8	<b>Carbon Side Guards, Quad Removable w/Hole</b>		\$
	Small Standard		
TSDG17	<b>Carbon LT Side Guards, Quad Removable w/Hole</b> <i>Not available on the Aero T.</i>		\$
	Small Standard		
TSDG9	<b>Carbon Fold Down Side Guards, Rigid</b> <i>Not available with ergonomic seats.</i>		\$
	Small Standard		
TSDG12	<b>Carbon Fendered Side Guards, Removable</b>		\$

## Armrests

TARM1	<b>Swing Away Tubular Armrests</b> <i>Select range. Not available with non-folding fixed height titanium back or height adjustable push handles.</i>		\$
	6.5"-9.5" 9.5"-12.5"		
TARM4	<b>Swing Away Flip Back Tubular Armrests, 8.5"-11.5"</b> <i>Not available with non-folding, fixed height titanium back.</i>		\$
TARM2	<b>Removable Height Adjustable Desk Arm with Rigid Side Guard</b> <i>Select range and pad size. Requires 14" minimum seat depth. Not available with ergonomic seat.</i>		\$
	9"-12" 12"-15"		
	Desk Length (10") Full Length (14")		
TARM3	<b>Removable Height Adjustable Desk Arm with Rigid Side Guard and Transfer Loop</b> <i>Select range and pad size. Requires 15" minimum seat depth. Not available with ergonomic seat.</i>		\$
	9"-12" 12"-15"		
	Desk Length (10") Full Length (14")		
TARM5	<b>Armrests Covered in Black Ultrasuede</b> <i>Not available with desk arms.</i>		\$

## Positioning Belts

TBLT1	<b>Velcro Adjustable Belt, Black Nylon Webbing</b>		\$
TBLT2	<b>Bodypoint 2" Belt, Push-Button Buckle (Auto Style)</b>		\$
TBLT4	<b>Bodypoint 1" Padded Belt, Push-Button Buckle (Auto Style)</b> <i>Not available with 19" or 20" rear seat widths.</i>		\$
TBLT5	<b>Bodypoint 1.5" Padded Belt, Push-Button Buckle (Auto Style)</b> <i>Not available with 19" or 20" rear seat widths.</i>		\$
TBLT10	<b>Bodypoint Optional Band Clamp Mounting Hardware</b>		\$
TBLT16	<b>Bodypoint EvoFlex Pelvic Stabilizer, Push Button</b>		\$

## Calf Straps

TCLF2	<b>Velcro Adjustable</b>		\$
	Small (9"-12" footrest widths) Medium (11"-15" footrest widths) Large (14"-17" footrest widths) Xtra Large (16"-19" footrest widths)		
TCLF3	<b>Bodypoint Padded Velcro Adjustable</b>		\$
	Medium (11"-15" footrest widths) Large (16"-19" footrest widths)		
TCLF1	<b>Buckle Adjustable, Black Nylon Webbing</b>		\$

## Residual Limb Supports

TRSL1	<b>Residual Limb Support, 8"W x 10"L, Individual</b>		\$
	Left Right		
TRSL2	<b>Residual Limb Support, 8"W x 10"L, Pair</b>		\$

## Anti-Tips

TTIP1	<b>Rear Anti-Tips, Aluminum Black</b>		\$
TTIP2	<b>User Friendly Anti-Tips, Flip-Up</b>		\$

## Accessories

TGRD1	<b>Clear Lexan Spoke Guards</b> <i>Not available with Mag rear wheels.</i>	\$
TBCK3	<b>Permobil Medical Necessities Backpack</b>	\$
TPCH3	<b>Permobil Medical Necessities Seat Pouch</b>	\$
TPCH4	<b>Bodypoint Mobility Bag</b>	\$
TUEST1	<b>Upper Extremity Support Tray</b> <i>Requires armrests.</i>	\$
	12"-14" seat widths    13"-15" seat widths	
TLUG1	<b>Luggage Carriers</b>	\$
TMPCT2	<b>Black Neoprene Impact Guards with Ultrasuede Stripe</b>	\$
TCH1	<b>Crutch Holder</b>	\$

## SmartDrive Power Assist System

TMAXSD1	<b>Permobil SmartDrive MX2+</b> <i>Not available with rear seat heights less than 13.5" or 20" rear wheels.</i>	\$
TMAXSD9	<b>Battery Pack</b> <i>Enclosed in SmartDrive system.</i>	No charge
TMAXSD18	<b>Switch Control Buttons</b>	No charge
TMAXSD8	<b>SwitchControl Button with Mono Jack Option</b>	No charge
TMAXSD19	<b>Buddy Button</b> <i>For use with SwitchControl button with mono jack option.</i>	No charge
TMAXSD4	<b>Carrying Bag</b>	\$
TMAXSD10	<b>Universal Padded Handle</b>	\$

## General

Permobil manufactures TiLite manual wheelchairs in a wide variety of configurations to meet the varied needs of wheelchair users. The final selection of a particular model, its options and accessories, and its measurements rests solely with the wheelchair user and the advising healthcare professional. These wheelchairs must be fitted by a qualified healthcare professional. Prices, standard features, options and accessories are subject to change without notice. All rights reserved.

## Notes

**TiFit Reference Diagrams**



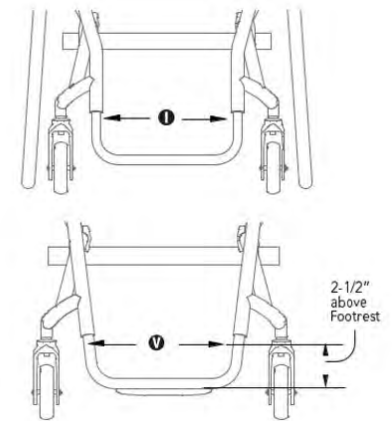
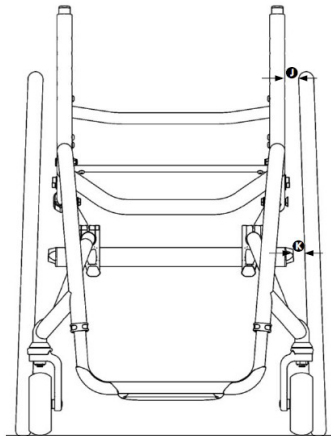
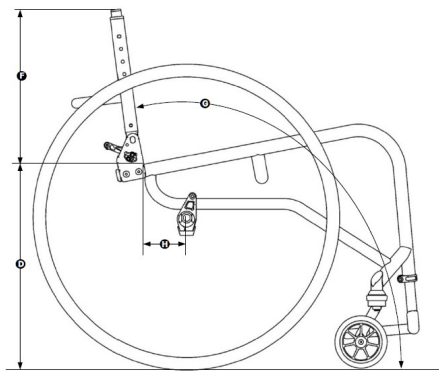
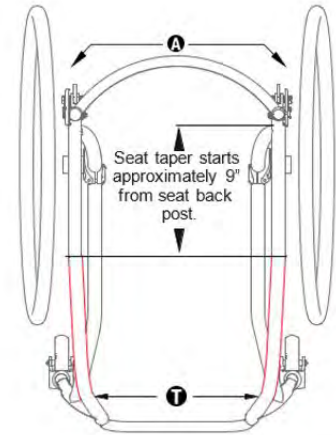
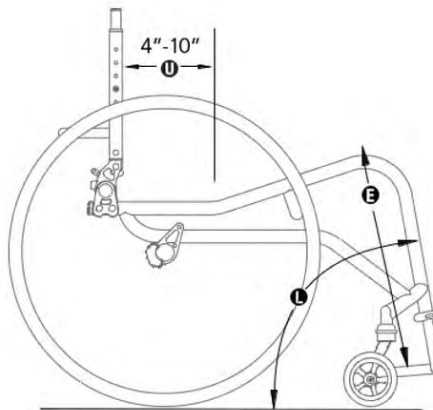
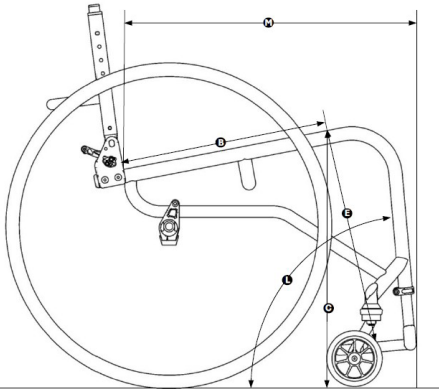
**TiLite Aero T**



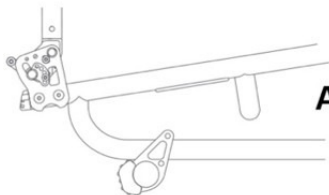
**TiLite TRA**



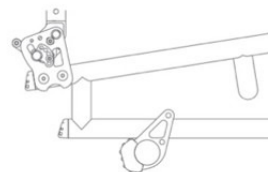
**TiLite TR**



The rear frame for a TR will be square when the Center of Gravity H measurement is less than **3.25"**. Aero T and TRA will always be a Rounded Rear Frame.



**A. Round rear frame**



**B. Square rear frame**